



① X 6 

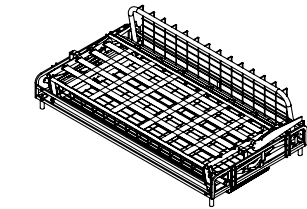
② X 4 

③ X 4 

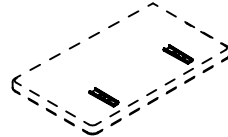
④ X 4 

⑤ X 1 

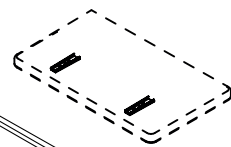
⑥ X 1 



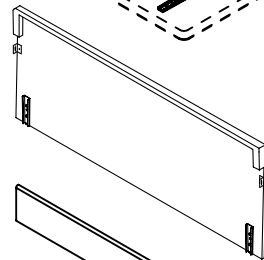
A X 1



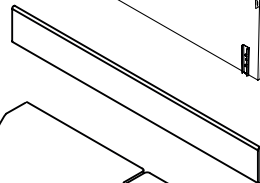
B X 1



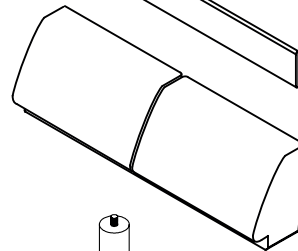
C X 1



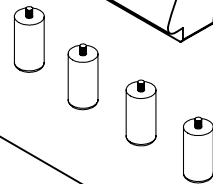
D X 1



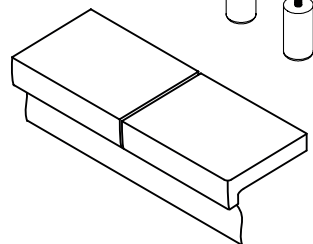
E X 1



F X 1



G X 4



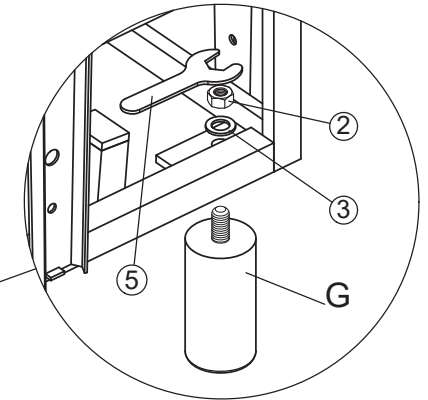
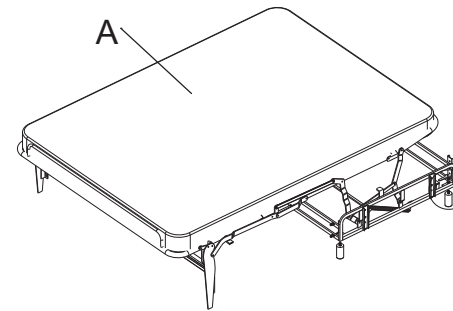
H X 1

068027



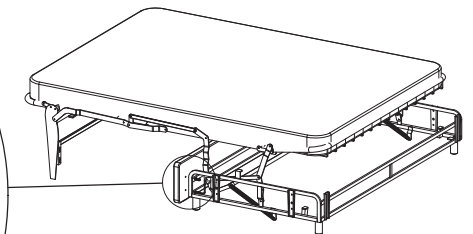
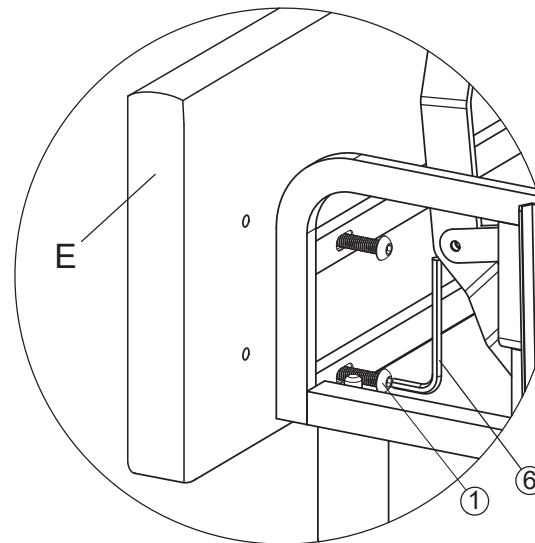
1

② X 4  ③ X 4 

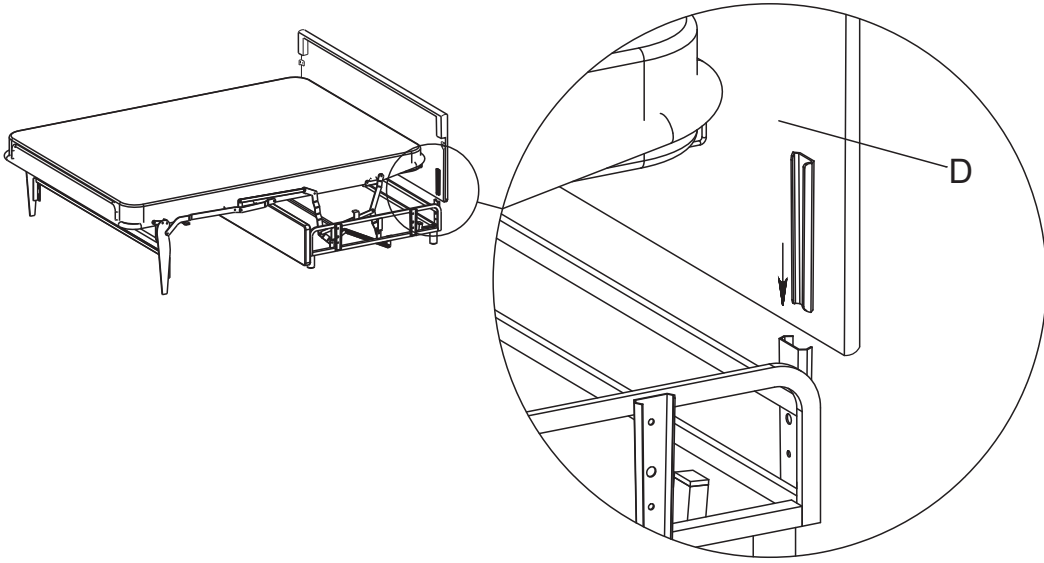


2

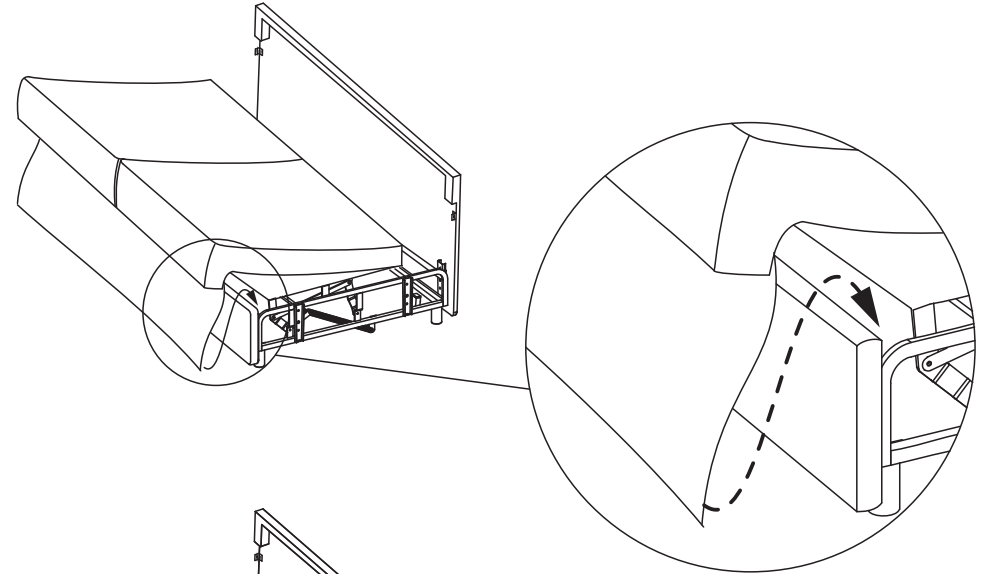
① X 4 



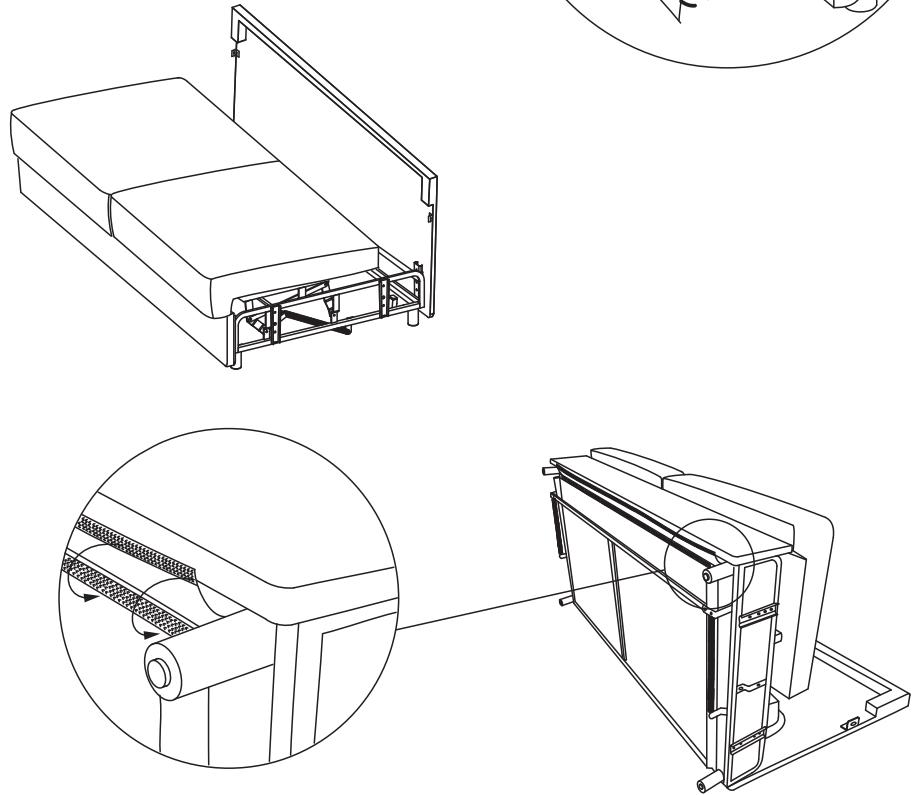
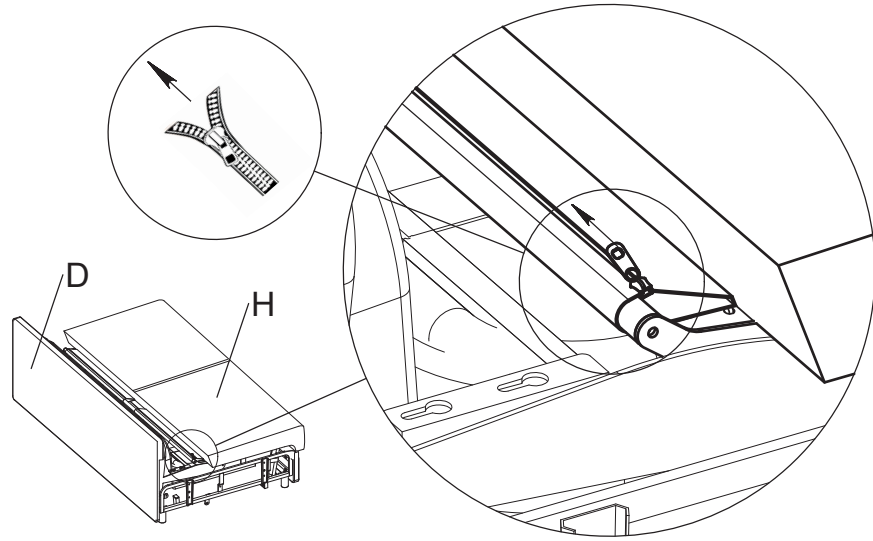
3



5

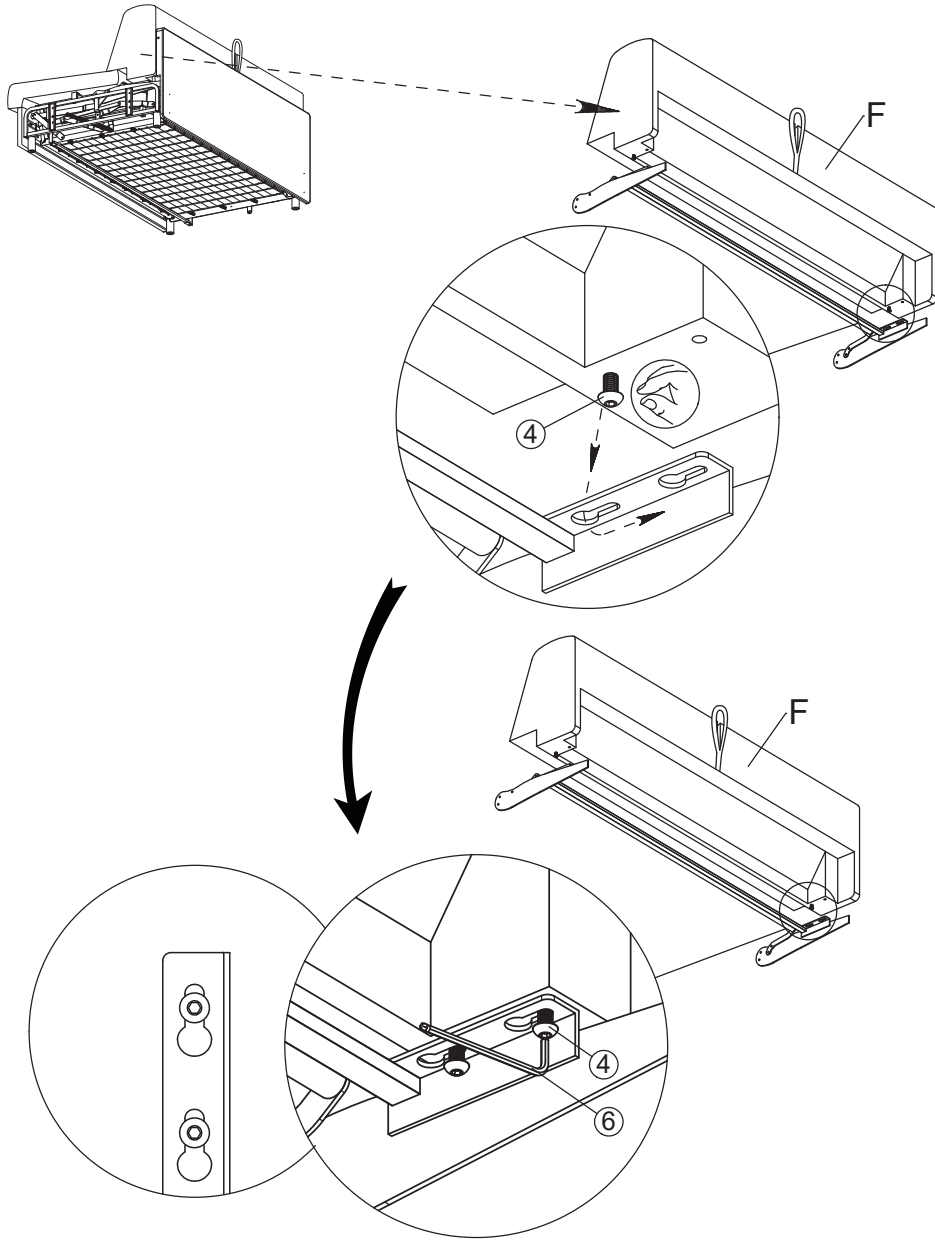


4

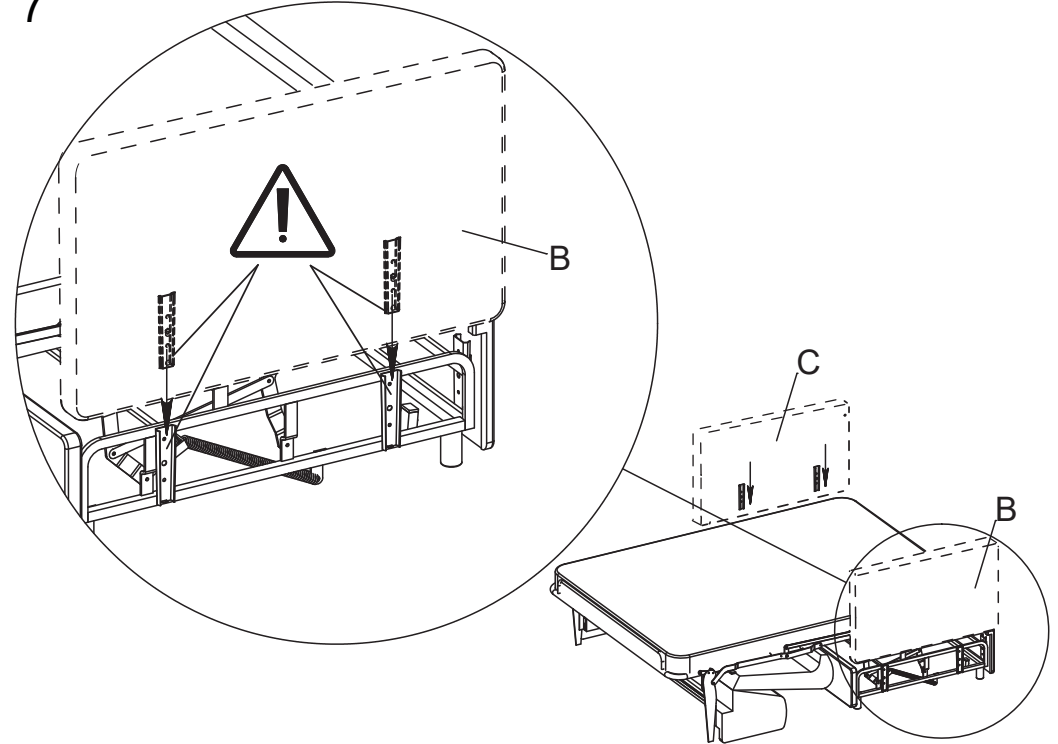


6

④ X 4 

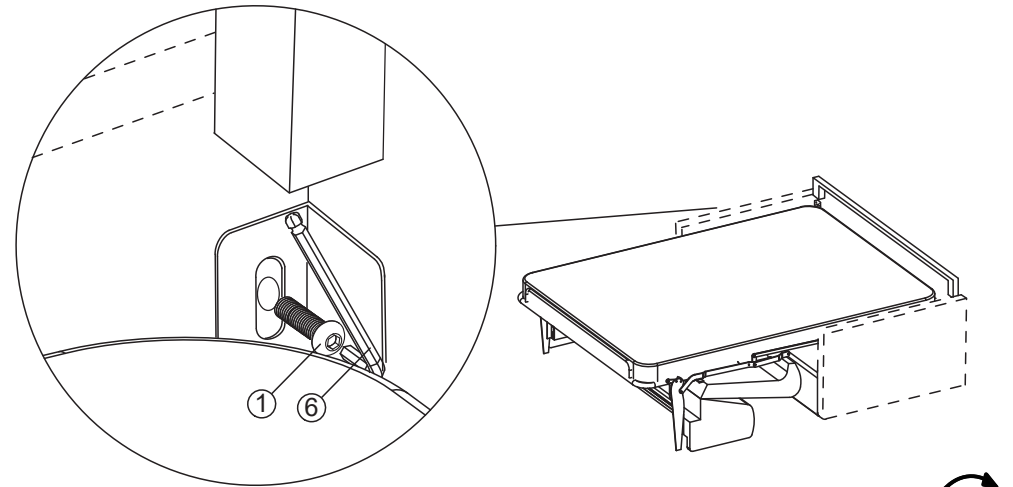


7

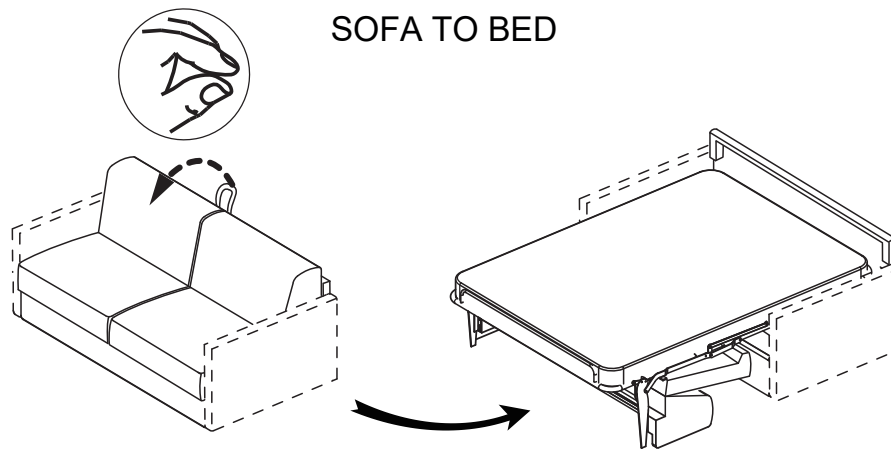


8

① X 2 



SOFA TO BED



BED TO SOFA

